

www.chinaxots.com

GOTS

Xizixiao Elevator Co.,Ltd

Factory Address: Mumianzai, Shatou Village, Sanjiang Shitan Town,
Zengcheng District, Guangdong, Guangzhou

Sales Office: Building B1\B2, Jinyu Commercial Area, Lijing Dadao,
Licheng Town, Zengcheng District, Guangzhou

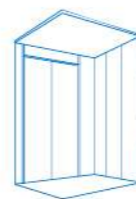
The central production base: Chihu Industrial Zone Station,
Jiujiang Xian, Jiujiang, Jiangxi

The western production base: No.188, Shuanghua Road,
China Southern Airlines Economic Development Zone, Shuangliu Xian, Cheng du

Tel : +86-13226684419

Fax: 020-32633078

E-mail: xizixiaodt@chinaxots.com



2016年版

• The Company Reserves The Right To Change The Product Design And The Explanation Right, Album Printing Is Different From The Real, All In Order To Prevail In Kind.



GOTS

ESCALATOR & MOVING WALKS

XIZIXIAO ELEVATOR CO., LTD

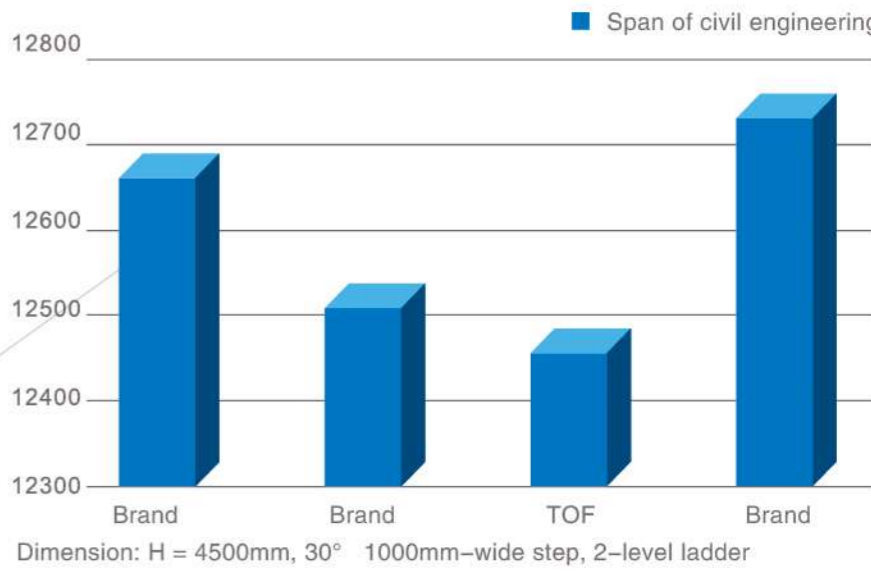
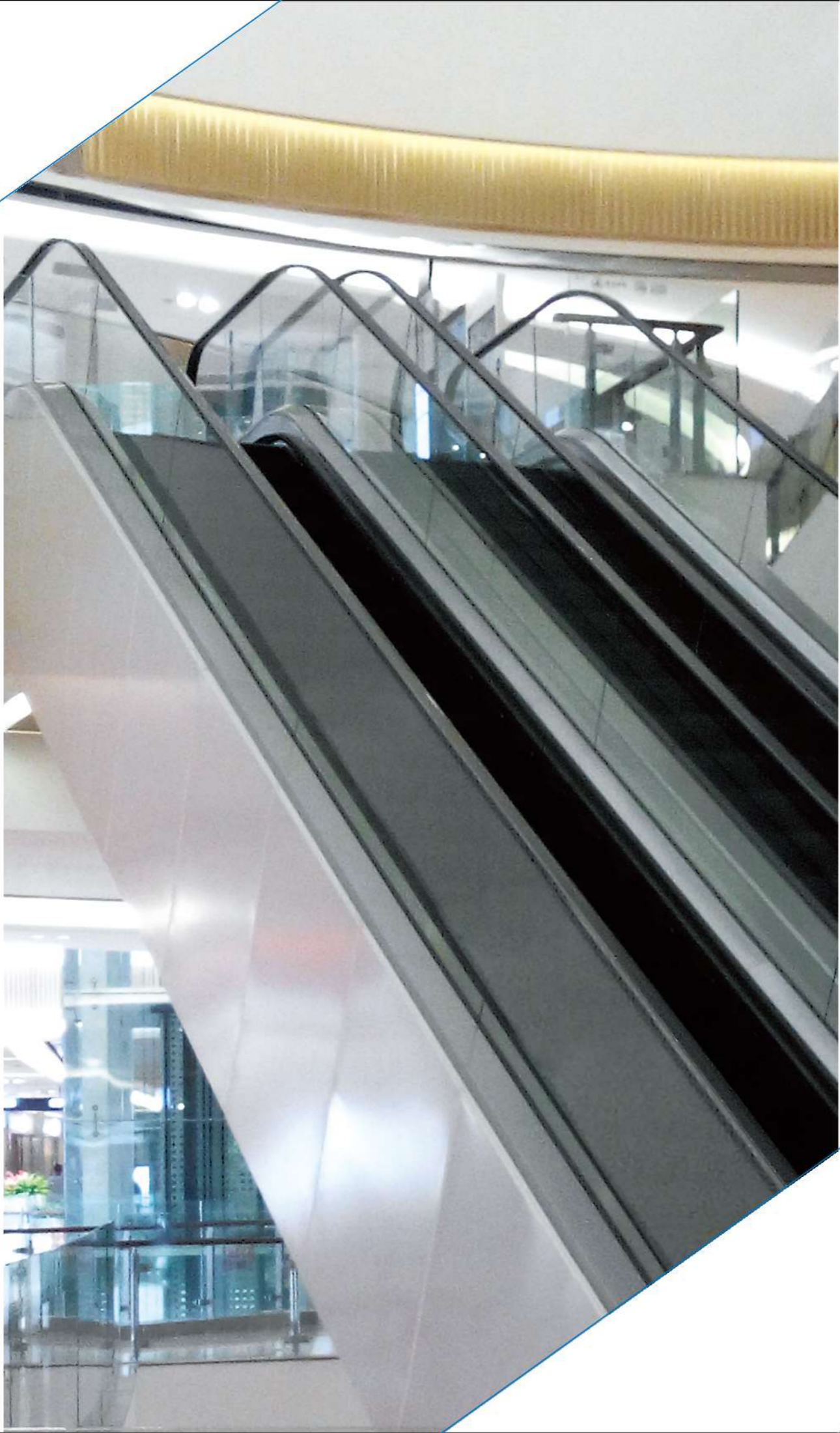


Bearing More Smoothly



Saving building space to create customer returns

Comparing with many other renowned brands of escalators for commercial use, Xizi Xiao TOF escalators have greater advantages and flexibility in terms of civil engineering, offering more returns to customers in a time when commercial lands is of sky-high prices.



Multilevel security configuration ensure the safety of passengers

Xizi Xiao has always adhered to the central tenet of producing the most secure escalator in the market.

Xizi Xiao series of escalators achieve the relevant strict standards of Xizi Xiao by sticking to the philosophy of putting security first, and China's GB 16899 (equivalent to EN 115). Their electrical systems also meet the security requirements of CENELEC and IEC as well as Xizi Xiao.



Security Configuration A

Traction motor

The efficiency of transmission of the horizontal helical gear reducer used by the TOF escalator is 15% higher than that of the traditional vertical worm drive. In other words, the TOF escalators consume less energy for the same load. By saving 30% of energy consumption on average per escalator in normal operation every day, the product is expected to save 18kWh/day for customers. Except Shanghai Mitsubishi, Guangzhou Hitachi, and Xizi Otis, there is no other manufacturer on the market offering a traction motor of such high efficiency.



Security Configuration B

Entrance of handrails

The black spraying aluminum alloy handrail entrances of streamline design are, comparing with the plastic or synthetic plastic ones of other manufactures, good-looking, safe, reliable and durable. In addition, they are equipped with hairbrush protector that functions together with the electric protector to form double-guaranteed protection.

Security Configuration C

Landing plates (floor plates)

The landing plates are made of aluminum alloy with burnishing black powder coating and anti-skid grooves. They are more good-looking, comfortable and reliable than the stainless steel ones, and with the 2.5mm-deep transverse grooves of a color resistant to wear, of better anti-skid effects.



Security Configuration D

Clamping units of glass guide rail

The new type of clamping units made of aluminum alloy. The die-casting units significantly improve the intensity of clamping the glass guide rail to the glass, resulting in an escalator system of greater stability, security, reliability and durability.

Security Configuration E

Guide rail

The guide rail made of knurled materials with guiding device matches perfectly with the company's stainless steel steps which are double-guaranteed and guided by the guide rail and guide slide, and effectively prevented from going off tracks. Only then, can the long-time operation of the escalator be more stable and reliable.



Enhance the efficient use of energy-saving technology

The TOF escalators are equipped with standard horizontal helical traction motor, which guarantees an efficiency of up to 96% of the gear reducer, 20% higher than the conventional worm gear reducer. The gear reducer boasts a compact structure, advanced technology, and a unique design of hardened teeth surface, hence greater resistance to wear, and longer service life!



Intelligent operating mode (ETA-PLUS)

Achieving high energy efficiency without a variable-frequency drive; Under the ETA-PLUS mode of operation, the escalators will switch to the energy-efficient mode if there is no or very few passengers, while those with an average variable-frequency drive will only do so when there is no passenger for a certain amount of time. Therefore, the ETA-PLUS escalators are particularly suitable for venues with large but dispersed people flow, such as shopping malls and shopping centers, reaching the energy efficiency of about 70%.



Security Configuration F

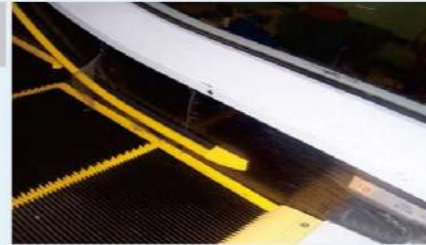
Main and auxiliary wheel for stair steps

Appearance: Diameter of 76.2mm and width of 22mm guarantee more stable operation. The roller beam is made of materials imported from Germany, featuring excellent thermal dissipation performance, good strength and long service life; oil and wear-resistant polyurethane rim; double-sealed rolling bearing; sliding bearing for the roller in the middle, strengthened by a keel structure that guarantees greater durability and strength and longer service life of the roller.

Security Configuration G

Anti-pinch brush

The skirt panels are equipped with anti-pinch brushes which not only serve as a warning, but also prevent the passenger's feet or other thing from being sandwiched between the steps and skirt panels (easy to clean) and the oil on the skirt panels gets on the passengers' clothes (reducing risks for passengers), protecting the entire steps and guaranteeing the normal operation of the escalator. It is a standard configuration of the company.



Security Configuration H

External display of failure self-diagnosis

In case of any failures in certain parts or abnormal behaviors which may result in accidents, the control system will automatically cut off the power supply and brake, and then display the faulty parts and all related data on the Nixie tube for the convenience of the maintenance personnel, not only facilitating the maintenance but also reducing the time of escalator shutting down.

Security Configuration I

Automatic lubrication device

To keep the noise and vibration of the chains and sprockets low during operation, and extend their service life, a microcomputer-controlled automatic lubrication system is used in this series of escalators. The microcomputer-controlled oil pump will add required amount of lubricants to various important parts of the escalator, which is superior to the semi-automatic lubrication system (specialists required for adding lubricants) adopted by most domestic manufacturers. It also overcomes the disadvantages of manual lubricating: Failing to reach the desired effect and difficult to control amount of lubricant. In addition, the use of the electromagnetic oil pump also contributes to lower the noise and pollution, and prolong the service life.



Security Configuration G

All standard parts are plated with white zinc.

Meet the European requirements for environmental protection, and produce less pollution compared with the yellow zinc-plated standard parts.

Superb technology to create excellent quality

GOTS moving walks not only boast excellent quality, but also offer perfectly good value for money.

★Control system

The microcomputer-controlled GOTS can fully monitor the operation state of the moving walks, promptly eliminate the hidden risks, and therefore reduce the maintenance time. The control cabinet features complete functions, high capacity and fast response, which can satisfy the different needs of customers and support the implementation of a variety of security requirements.

★GOTS-pioneered square-tube truss

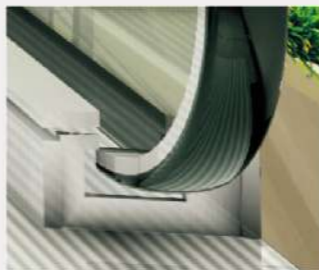
The square-tube truss is more reasonable than the traditional angle steel one in terms of structure, boasting greater stability and rigidity which can effectively extend the service life of the walks.

★Compact step road

The step road system is supported by the specially designed guide rail bracket which is cut by laser with high precision for accurate fixation. In addition, positioning pins are used to prevent rail displacement caused by vibration during the transport. The zinc-plated guild rail guarantees the smooth and stable operation of the treads.

★Step treads

The stainless steel treads with black electrophoretic coating features the advantages of good-looking appearance, easy maintenance, hard texture, anti-oxidation, and anti-corrosion comparing with the conventional aluminum ones. They are engraved with anti-skid patterns, and inlaid with yellow warning strips on both sides to carefully protect the passengers



Super enhance passenger transport capacity

GOTS series of moving walks are the optimal delivery equipment developed by Xizi Xiao by introducing and integrating the advanced technologies of the western countries, which are suitable for supermarkets, airports, grand shopping malls and etc. In busy cities, GOTS offers comfortable experiences to the rushed passengers who either pushing luggage trolleys, carrying large bags, holding a baby, or being elderly, can travel easily and fast, aiming to make traveling, shopping, and sightseeing an easy thing for everyone.

Step Width (mm)	Step Width (mm)	Step Width (mm)	Delivery Capacity (Person/Hour)
0.5	1.5	800	6750
0.5	2.0	1000	9000

Easy sharing by ladder maintenance efficiency

- ★ Greater reliability and longer service life;
- ★ Advanced information diagnosis and highly efficient maintenance;
- ★ Effective reduction of shutting down time for inspection and repair brings more returns.



Escalator / Sidewalk function

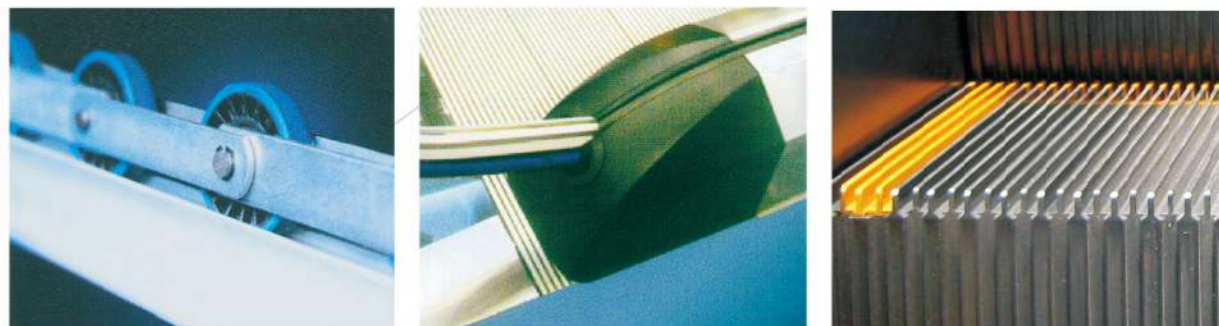


Basic functions

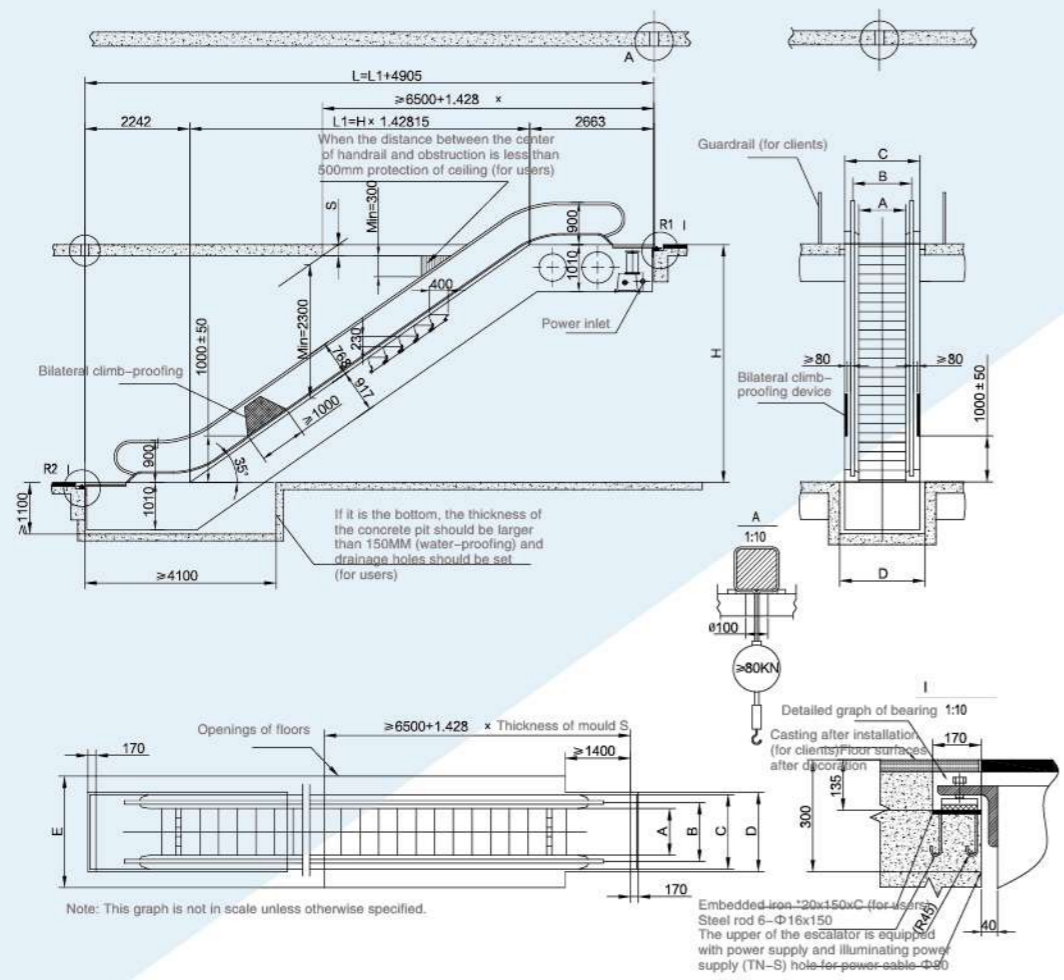
No.	Function	Function Description
1	Normal up and down	Controlled by a key switch in a control box at the entrance and exit, with the marks of "↑" and "↓" on the panel for the convenience of operation. Use the private key given to the user to decide the direction of running as required.
2	Warning before starting	No warning for maintenance; before normal running, the electric bell rings for three seconds, then type Y starts; after 3 seconds, type Δ starts and the bell stops ringing. In case of any abnormality before and after the start, press the emergency stop button on the panel to terminate the process.
3	Automatic lubrication	The microcomputer-controlled oil pump will add required amount of lubricants to various important parts of the escalator/moving walks.
4	Automatic failure display	Safety switches controlled by the microcomputer system are located throughout the key parts of the escalator/moving walks. The operation state of the machine is under constant monitoring. (In case of any failures in certain parts or abnormal behaviors which may result in accidents, the control system will automatically cut off the power supply and brake, and then display the faulty parts and all related data on the Nixie tube for the convenience of the maintenance personnel, not only facilitating the maintenance but also reducing the time of escalator shutting down.)
5	Switch between Y and Δ	In order to reduce the starting current, the escalator/moving walk features the function of switching between types Y and Δ (soft start).
6	Speed of motor	To ensure the safety of passengers, when the escalator/moving walk runs at a speed 20% faster than the rated speed, it will automatically stop and will not be started until being inspected by professionals.
7	Motor protection	To ensure the safety of equipment, the escalator/moving walk also features the functions of motor overheating protection and phase loss protection.
8	Programmable electronic safety-related systems	Separate programmable electronic safety-related systems are equipped for detection of safety-related devices, making the machine more accurate and reliable.

Optional functions

No.	Function	Function Description
1	Variable frequencies	The escalator controlled by a variable-frequency drive runs at a low speed of 0.2m/s when there is no passenger, and at a normal speed of 0.5m/s when the infrared device or the electric sensing device at the entrance detects passengers entering the tread in the front of the escalator. Under such circumstances, up to 40% - 60% of the energy can be saved, the peak current reduced by 50% - 80%, and the mechanical wear reduced too.
2	Lightning in the gap between steps at entrance and exit	The entrance and exit of an escalator or moving walk are their most unsafe areas. In order to remind the passengers to be careful in the areas, a green belt light is installed at the bottom of the steps at the entrance and exit and remains on since the start of the escalator. Light coming out from the gap between steps reminds the passengers not to stand on two steps at the same time.
3	Direction indicator bulb	Luxury running direction indicator bulbs are installed at the entrances, making the series of escalators/moving walks more elegant.



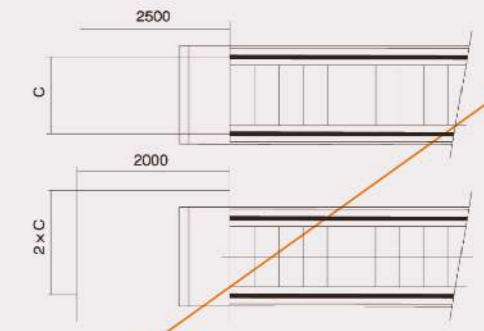
35° Escalator civil layout



Construction installation instructions

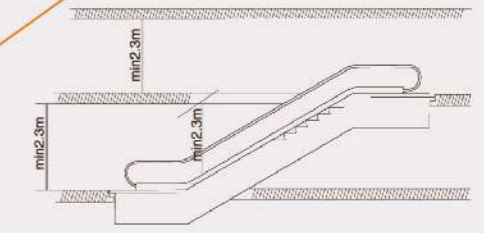
In addition to the dimensions and requirements of the contracted civil engineering, the following requirements shall be achieved too.

To ensure the security of passengers on the escalators and moving walks, there must be sufficient free space at each floor station. (see the drawing of the smallest dimensions on the right)
 C = The width between the handrails



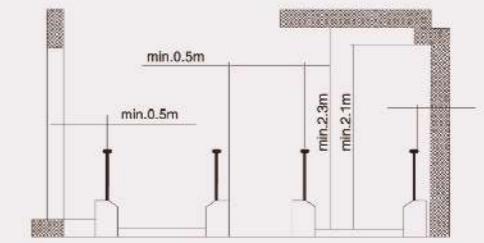
Safe distance in headspace

From any point of the step/tread, there must be a vertical distance of 2.3m free of any barriers.
 Attention! If the elevated height of one escalator above another one is less than 3.3m, then it is impossible that the safe distance in the headspace of the latter reaches 2.3m. In this case, special protection facilities and anti-collision plate must be installed.



Horizontal safe distances to be guaranteed

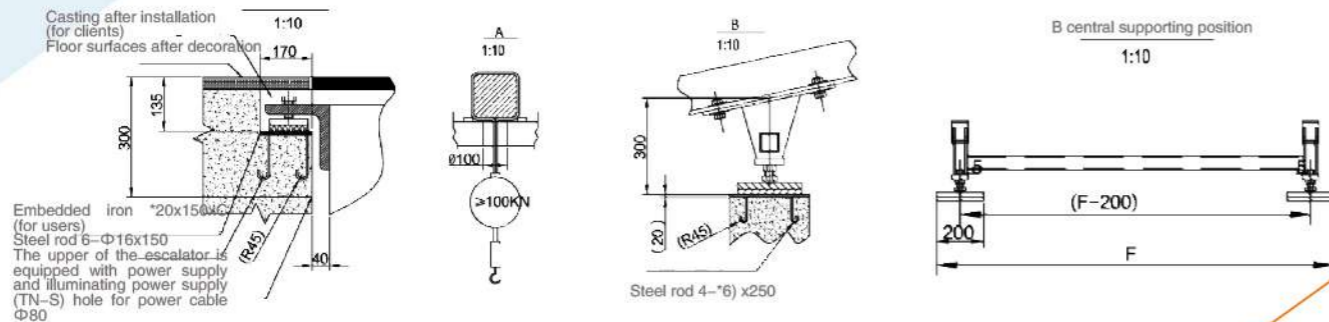
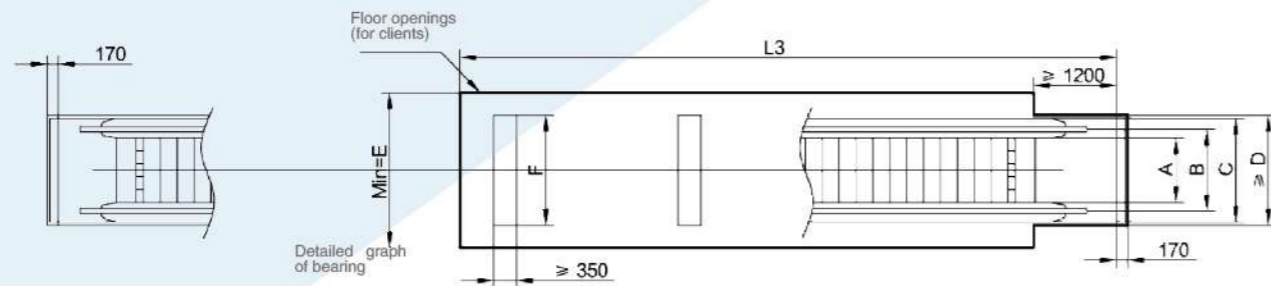
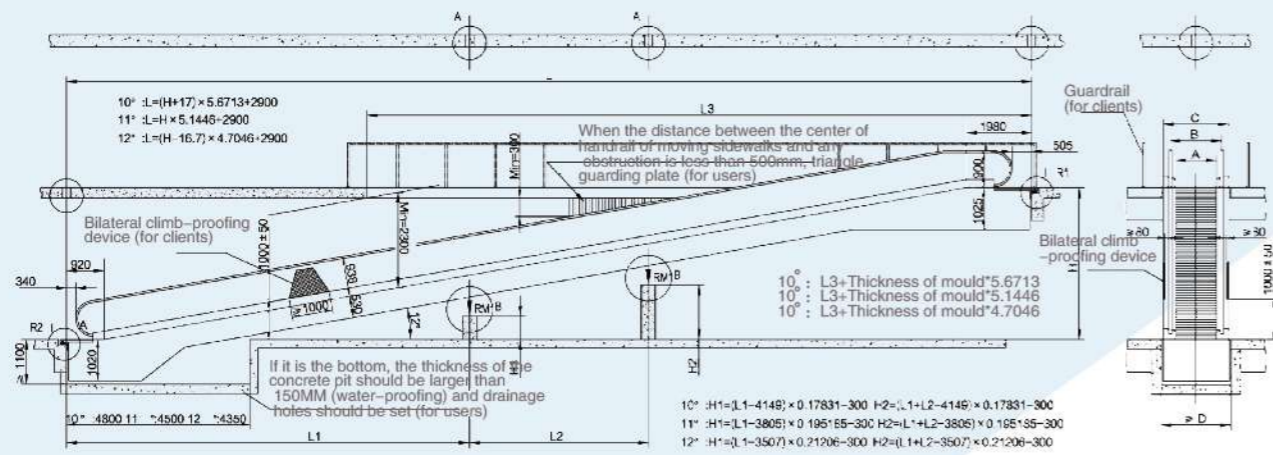
The distance between the outer edge of the handrail and the wall or other obstacles must be higher than 80mm.
 The vertical distance from the step/tread must be higher than 2.3m.
 The vertical distance from the handrail must be higher than 2.1m.
 For crisscross escalators/moving walks, the horizontal distance from the center of handrail to obstacles must be higher than 0.5m.
 Otherwise, special protection facilities and anti-collision plate must be installed.



Model	TOF30-600(4500p/hour)				TOF30-800(6750p/hour)				TOF30-1000(9000p/hour)			
	Rising Height (mm)	N.W.(KN)	R1(KN)	R2(KN)	Motor Pauer (KW)	N.W.(KN)	R1(KN)	R2(KN)	Motor Pauer (KW)	N.W.(KN)	R1(KN)	R2(KN)
3000	57	46	41	5.5	59	52	47	5.5	60	56	50	5.5
3560	60	49	44	5.5	63	56	50	5.5	64	60	53	7.5
4000	64	52	47	5.5	67	60	54	5.5	67	64	57	7.5
4500	68	56	50	5.5	71	64	57	7.5	71	67	60	7.5
5000	71	59	53	5.5	74	68	60	7.5	74	71	64	8
5500	75	62	56	5.5	82	74	66	7.5	82	77	69	11
6000	79	65	59	7.5	86	78	69	8	85	81	72	11

Model	A	B	C	D	E
TOF30-600	600	837	1140	1200	1837
TOF30-800	800	1037	1340	1400	2037
TOF30-1000	1000	1237	1540	1600	2237

Single arc civil sidewalk layout



10°		A=1000						A=800					
H(mm)	L(mm)	N.W.(KN)	R1(KN)	R2(KN)	RM1(KN)	RM2(KN)	P(KW)	N.W.(KN)	R1(KN)	R2(KN)	RM1(KN)	RM2(KN)	P(KW)
2500	17175	90	51	43	85		7.5	87	45	37	74		7.5
3000	20010	100	57	49	96		8	97	51	43	85		8
3500	22846	111	65	56	108		11	107	58	49	96		11
4000	25682	121	70	62	120		11	117	62	55	106		11
4500	28517	132	77	68	131		13	127	68	60	115		11
5000	31353	142	59	50	96	97	13	137	49	40	78	79	13
5500	34189	153	66	57	108	109	15	147	55	46	98	99	13
6000	37024	163	72	63	130	131	15	157	61	52	110	111	15

11°		A=1000						A=800					
H(mm)	L(mm)	N.W.(KN)	R1(KN)	R2(KN)	RM1(KN)	RM2(KN)	P(KW)	N.W.(KN)	R1(KN)	R2(KN)	RM1(KN)	RM2(KN)	P(KW)
2500	15762	85	49	41	78		7.5	82	43	35	67		7.5
3000	18334	94	55	47	89		7.5	91	49	41	78		7.5
3500	20906	104	61	53	99		8	100	54	46	87		8
4000	23478	114	68	59	112		11	110	60	52	98		8
4500	26051	123	73	65	124		11	119	65	57	107		11
5000	28623	133	80	71	135		13	128	70	61	117		11
5500	31195	142	60	51	97	98	13	137	50	41	97	80	13
6000	33768	152	66	57	108	109	15	146	56	47	91	92	13

12°		A=1000						A=800					
H(mm)	L(mm)	N.W.(KN)	R1(KN)	R2(KN)	RM1(KN)	RM2(KN)	P(KW)	N.W.(KN)	R1(KN)	R2(KN)	RM1(KN)	RM2(KN)	P(KW)
2500	14583	80	46	38	72		5.5	78	41	33	63		5.5
3000	16935	89	52	44	83		7.5	86	46	38	72		5.5
3500	19288	98	58	50	93		7.5	95	51	43	81		7.5
4000	21640	107	64	55	104		8	103	56	48	90		7.5
4500	23992	115	69	61	115		11	111	61	53	99		8
5000	26344	124	75	66	125		11	120	66	57	109		11
5500	28697	133	81	72	136		13	128	71	52	118		11
6000	31049	142	61	52	98	99	13	136	54	46	85	86	13

	A	B	C	D	E
TOF					
10°	-800	800	1037	1400	1460
11°					2037
12°					
TOF					
10°	-1000	1000	1237	1600	1660
11°					2237
12°					

Customer first customer

Employees of Xizi Xiao all over the country take it as personal obligations and social commitments to serve the customers well.

"All for customers and for all customers"

We are dedicated to provide quality services to customers beyond their expectation.

Green service

★ People-oriented services

- Customized maintenance solutions. Incorporating the advanced maintenance technologies of Xizi Otis, Xizi Xiao provides preventative customized maintenance solutions to guarantee free-of-failure operation of the escalators.
- Upgraded solutions. The upgraded solutions cater the customers' needs to upgrade the functions of products.
- Modern upgraded solutions. With the changes to the appearances and functions of buildings, customers' needs for elevators also change. We provides modern upgraded solutions to customers, helping them to upgrade their facilities in a convenient and economic way.

★ Fast-responding services

- Powerful customer service center. Our customer service center integrating and optimizing hotline, SMS customer management system, REM-X remote monitoring system, and technical help have served as an important platform for communication with customers to ensure that they have access to reliable services 24 hours a day, 365 days a year.
- Complete service networks. Xizi Xiao has established about 300 sales and service outlets nationwide to provide all-weather, all-around professional services to customers in the fastest and most efficient way, aiming to be a "good neighbor of property owners".
- Complete spare parts networks. We have warehouses providing sufficient supply of spare parts all over the country, which guarantees the fastest response to the customers' requests and the shortest maintenance time any time.

★ Professional services

- SMS customer management system. Intelligent management of customer data facilitates the maintenance personnel to arrange the schedule more conveniently by automatic notification and forecast of maintenance time.
- Professional and intelligent. Our professional engineers have all received strict and professional trainings and been ready to provide the best services to customers by adhering to Xizi Xiao's 12 principles of quality services. We also assign safety and quality inspector for follow-up inspection to provide more comprehensive and professional services.
- Expert system. When the engineers encounter difficulties, they can refer to Xizi Xiao's expert system for help and guidance. Meanwhile, the expert system will analyze and summarize all kinds of problems of services at a regular basis and send feedbacks to the R&D personnel for them to make technical improvement from the very root of problems and improve the product quality.

